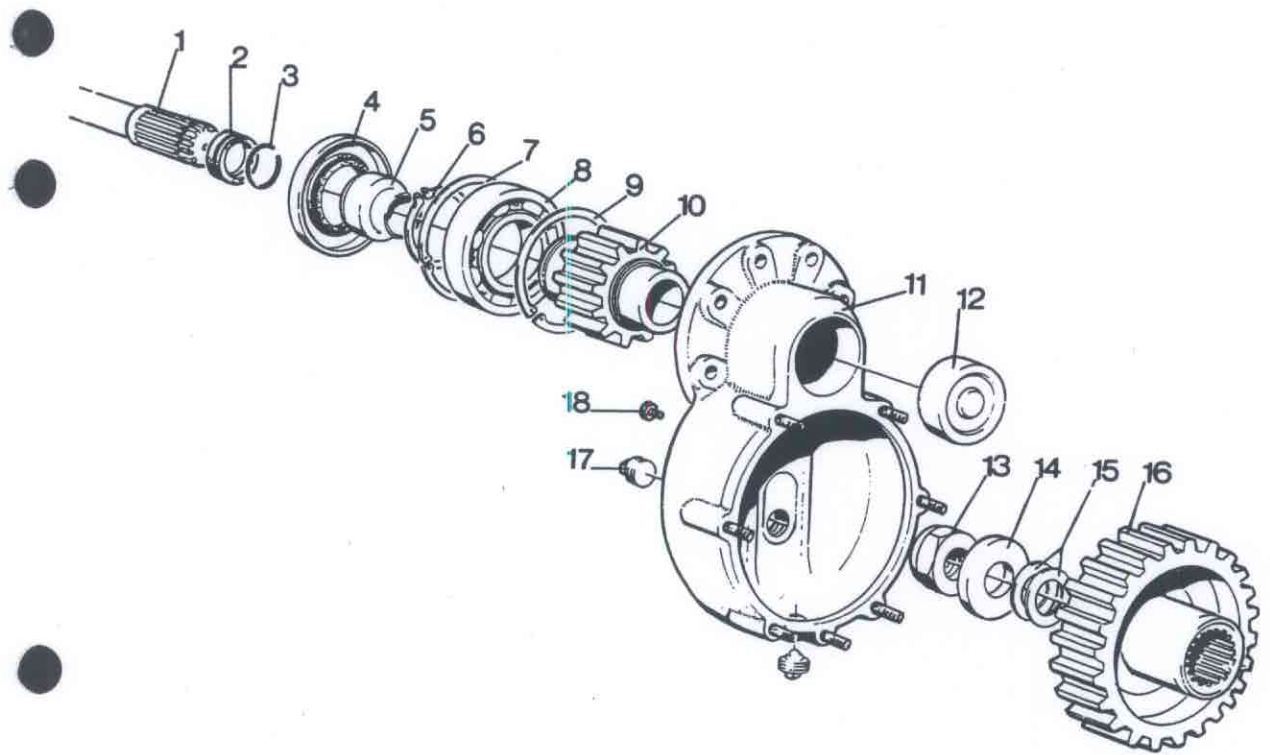
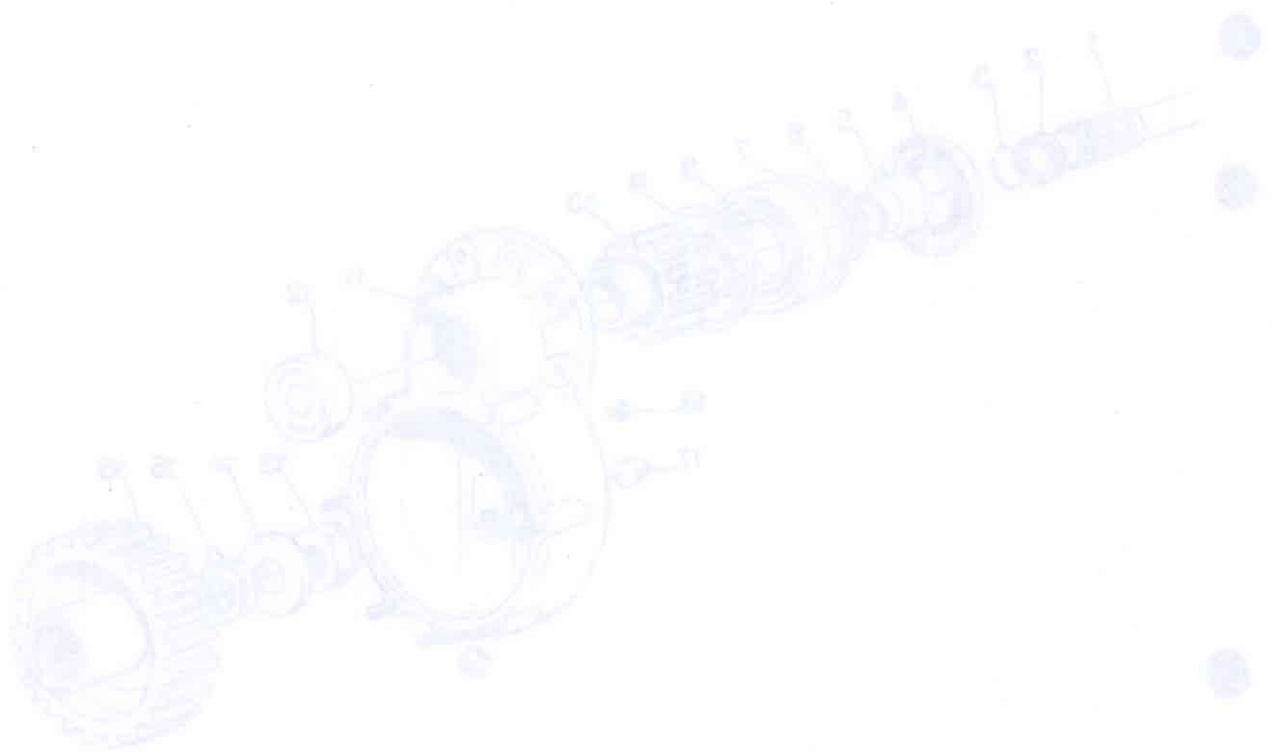


**Waeel carriers**

1. Drive shaft
2. X-ring
3. Circlip
4. Seal
5. Wear ring
6. Circlip
7. Circlip
8. Ball bearing
9. Circlip
10. Worm gear
11. Wheel carrier
12. Needle bearing
13. Nut
14. Washer
15. Shims
16. Worm gear
17. Plug
18. Bolt



VOLVO  
115 986

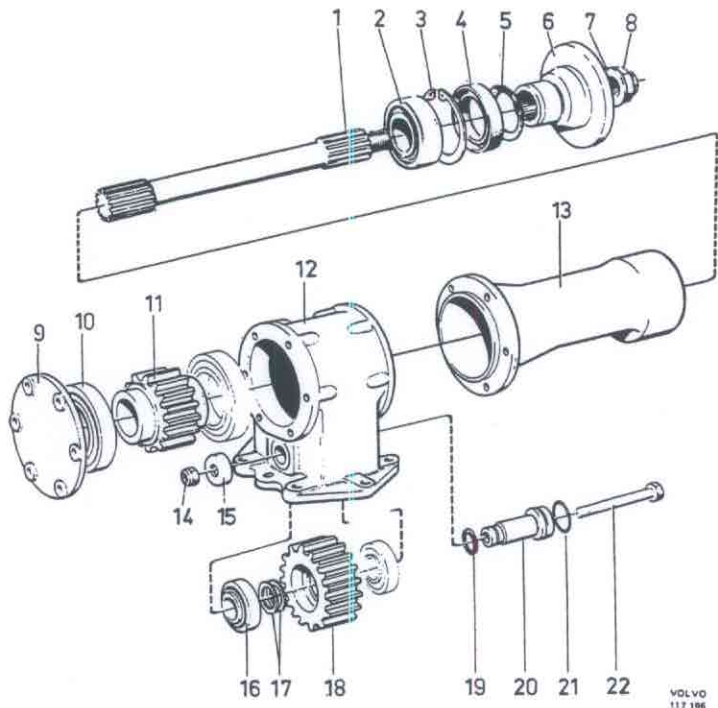


Faint, illegible text, possibly bleed-through from the reverse side of the page.

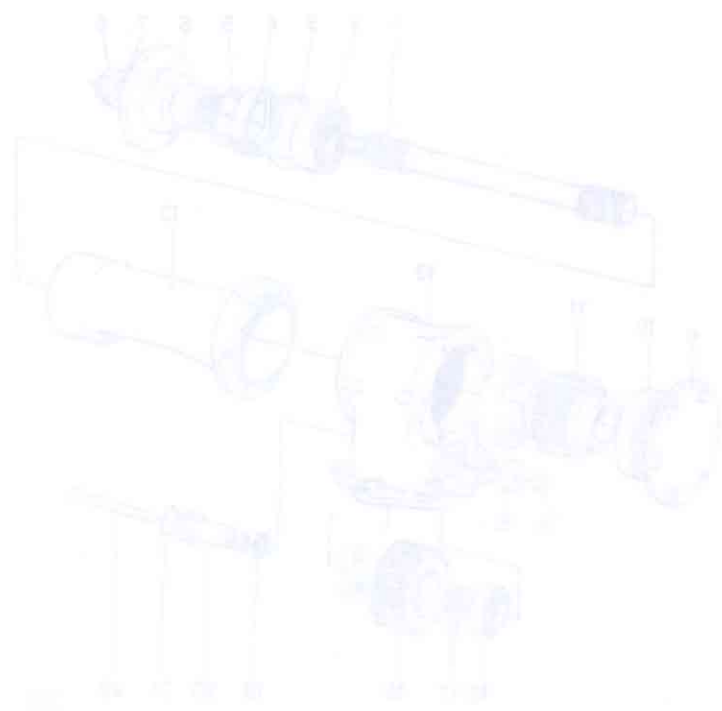
**Illustration 46-G. Power take-off**

**Power take-off**

- 1 Drive shaft
- 2 Bearing
- 3 Circlip
- 4 Seal
- 5 Seal
- 6 Flange
- 7 Washer
- 8 Nut
- 9 Cover
- 10 Bearing
- 11 Gear
- 12 Housing
- 13 Housing
- 14 Nut
- 15 Washer
- 16 Bearing
- 17 Chims
- 18 Gear
- 19 D-ring
- 20 Shaft
- 21 O-ring
- 22 Bolt



VOLVO  
117 196



Power take-off

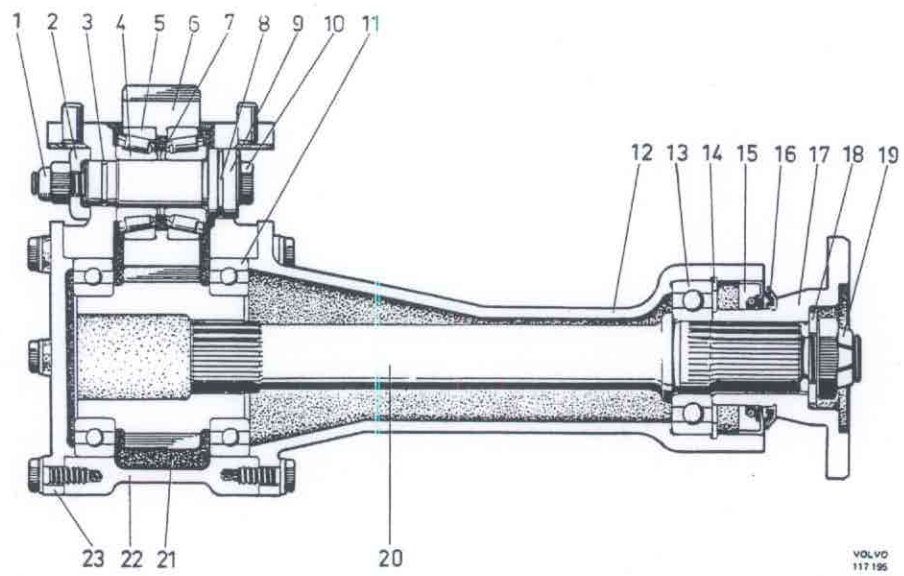
- 1. PTO shaft
- 2. PTO housing
- 3. PTO input shaft
- 4. PTO output shaft
- 5. PTO housing
- 6. PTO housing
- 7. PTO housing
- 8. PTO housing
- 9. PTO housing
- 10. PTO housing
- 11. PTO housing
- 12. PTO housing
- 13. PTO housing
- 14. PTO housing
- 15. PTO housing
- 16. PTO housing
- 17. PTO housing
- 18. PTO housing
- 19. PTO housing
- 20. PTO housing
- 21. PTO housing
- 22. PTO housing
- 23. PTO housing
- 24. PTO housing
- 25. PTO housing
- 26. PTO housing
- 27. PTO housing
- 28. PTO housing
- 29. PTO housing
- 30. PTO housing
- 31. PTO housing
- 32. PTO housing
- 33. PTO housing
- 34. PTO housing
- 35. PTO housing
- 36. PTO housing
- 37. PTO housing
- 38. PTO housing
- 39. PTO housing
- 40. PTO housing
- 41. PTO housing
- 42. PTO housing
- 43. PTO housing
- 44. PTO housing
- 45. PTO housing
- 46. PTO housing
- 47. PTO housing
- 48. PTO housing
- 49. PTO housing
- 50. PTO housing

Illustration 46-H. Power take-off



**Power take-off**

- 1 Nut
- 2 Washer
- 3 O-ring
- 4 Outer ring
- 5 Roller bearing, innerring
- 6 Gear
- 7 Chims
- 8 O-ring
- 9 Washer
- 10 Bolt
- 11 Bearing
- 12 Housing
- 13 Bearing
- 14 Circlip
- 15 Seal
- 16 Seal
- 17 Flange
- 18 Washer
- 19 Nut
- 20 Drive shaft
- 21 Gear
- 22 Housing
- 23 Cover



VOLVO  
117 195

