

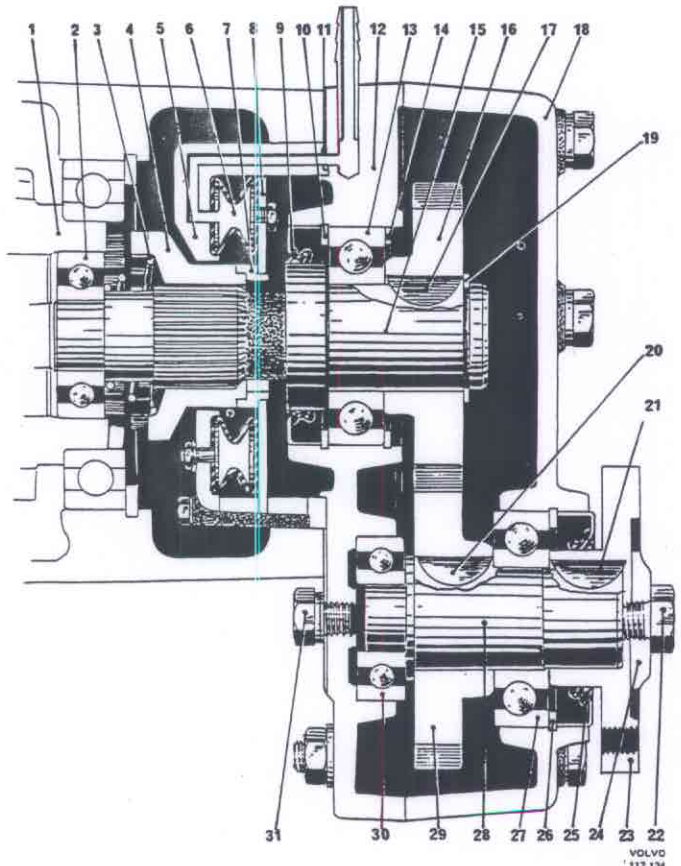


- 1. Power take-off
- 2. Drive shaft
- 3. Gear
- 4. Gear
- 5. Gear
- 6. Gear
- 7. Gear
- 8. Gear
- 9. Gear
- 10. Gear
- 11. Gear
- 12. Gear
- 13. Gear
- 14. Gear
- 15. Gear
- 16. Gear
- 17. Gear
- 18. Gear
- 19. Gear
- 20. Gear
- 21. Gear
- 22. Gear
- 23. Gear
- 24. Gear
- 25. Gear
- 26. Gear
- 27. Gear
- 28. Gear
- 29. Gear
- 30. Gear
- 31. Gear
- 32. Gear
- 33. Gear
- 34. Gear
- 35. Gear
- 36. Gear
- 37. Gear
- 38. Gear
- 39. Gear
- 40. Gear
- 41. Gear
- 42. Gear
- 43. Gear
- 44. Gear
- 45. Gear
- 46. Gear
- 47. Gear
- 48. Gear
- 49. Gear
- 50. Gear
- 51. Gear
- 52. Gear
- 53. Gear
- 54. Gear
- 55. Gear
- 56. Gear
- 57. Gear
- 58. Gear
- 59. Gear
- 60. Gear
- 61. Gear
- 62. Gear
- 63. Gear
- 64. Gear
- 65. Gear
- 66. Gear
- 67. Gear
- 68. Gear
- 69. Gear
- 70. Gear
- 71. Gear
- 72. Gear
- 73. Gear
- 74. Gear
- 75. Gear
- 76. Gear
- 77. Gear
- 78. Gear
- 79. Gear
- 80. Gear
- 81. Gear
- 82. Gear
- 83. Gear
- 84. Gear
- 85. Gear
- 86. Gear
- 87. Gear
- 88. Gear
- 89. Gear
- 90. Gear
- 91. Gear
- 92. Gear
- 93. Gear
- 94. Gear
- 95. Gear
- 96. Gear
- 97. Gear
- 98. Gear
- 99. Gear
- 100. Gear

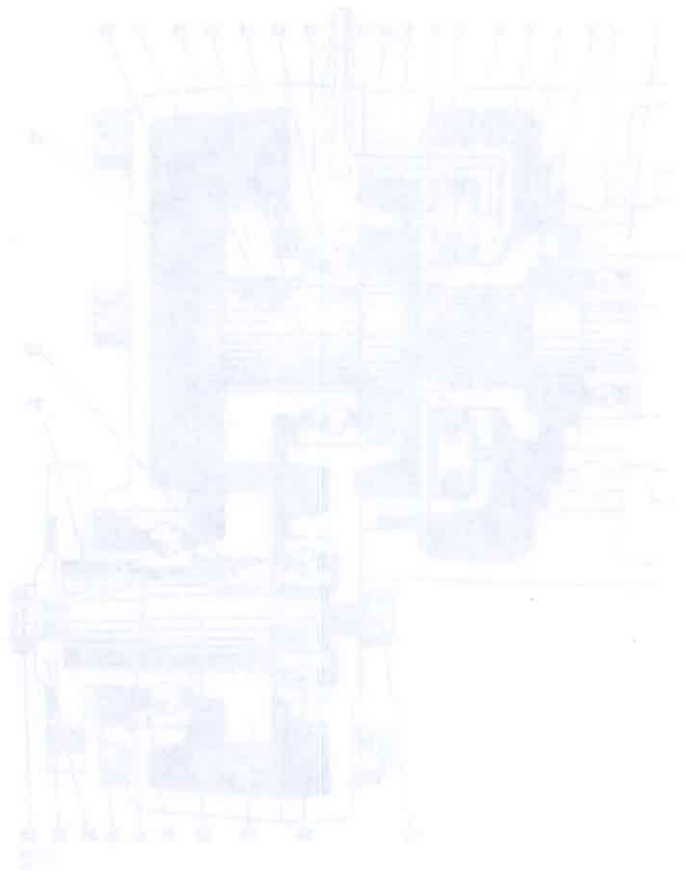
Illustration 48-B. Power take-off

Power take-off

- 1 Drive gear and auxiliary gearbox
- 2 Bearing
- 3 Spring
- 4 Flange
- 5 Control housing
- 6 Bellows
- 7 Bushing
- 8 Thrust plate
- 9 Seal
- 10 Circlip
- 11 O-ring
- 12 Housing
- 13 Bearing
- 14 Circlip
- 15 Input shaft
- 16 Drive wheel
- 17 Key
- 18 Housing
- 19 Circlip
- 20 Key
- 21 Key
- 22 Screw
- 23 Flange
- 24 Washer
- 25 Seal
- 26 Circlip
- 27 Bearing
- 28 Output shaft
- 29 Wheel
- 30 Bearing
- 31 Screw



VOLVO
117 134









TP 11078/1
Engelska
2500. 7.75
Printed in Sweden