

GROUP 87 CAP AND PLATFORM

Description

The cab can be said to be made up of two main sections, a floor section and hardtop, made up of a number of form-pressed steel plates.

Among other things, the floor section consists of the following sections which are welded together: front floor, wheel housing, engine casing, firewall, side plates and front end with dashboard.

The hardtop forms an integral unit made up of roof, sides and windscreen frame welded together.

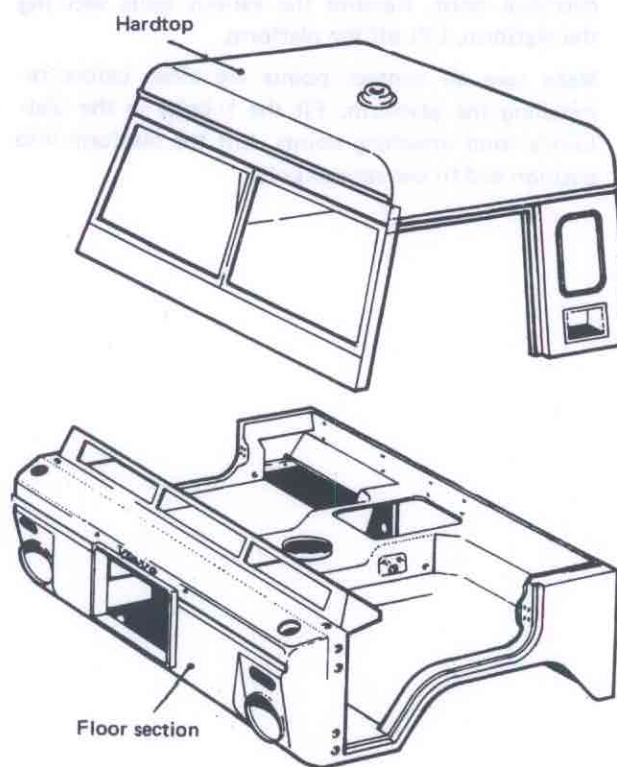


Fig. 87-1. Cab

Service Procedures

The procedure for repairing the cab (or body) will depend on the nature of the damage as well as the availability of tools and parts. The following general instructions apply:

Welding

When about to carry out any electric welding, first disconnect both battery cables. Also disconnect the cable from the charging regulator, see Fig. 87-2. Connect up the welding unit as near the welding point as possible.

Sealing

Use sealing agent Bostik Silikon or corresponding for the bolting.

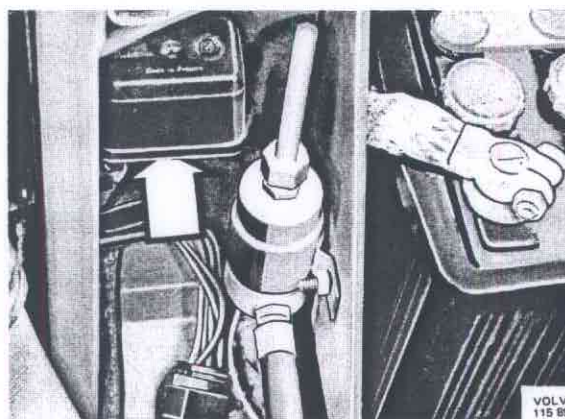


Fig. 87-2. Charging regulator connection

Platform

To remove the platform, fix one end of the hoist straps to the platform lift eyelets, see Fig. 87-3. Then fix the other end of the straps to the hooks on the overhead hoist. Remove the various bolts securing the platform. Lift off the platform.

Make sure all contact points are clean before re-installing the platform. Fit the U-bolts in the platform's front attaching points. Lift the platform into position and fit the various bolts.

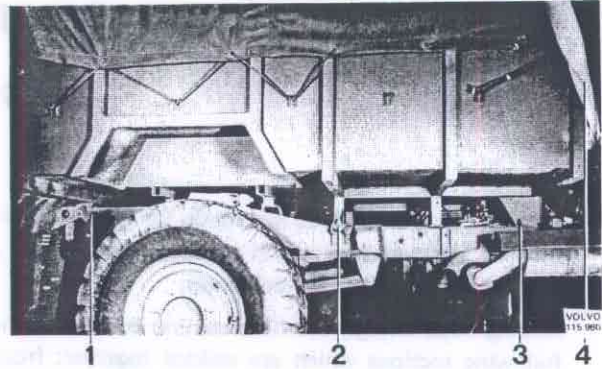
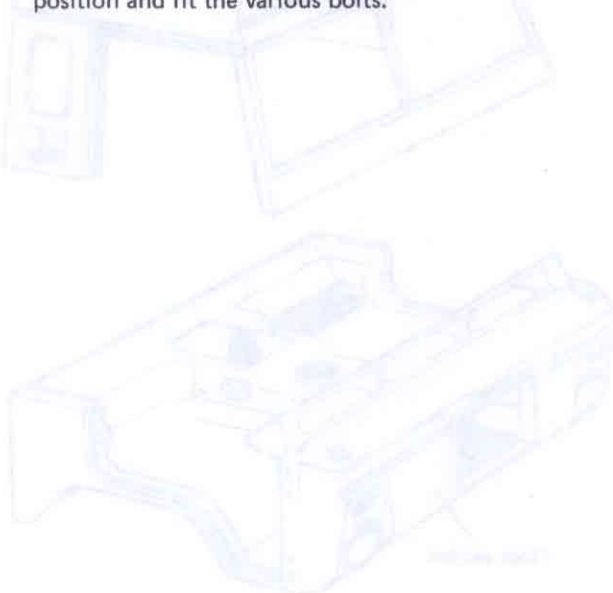
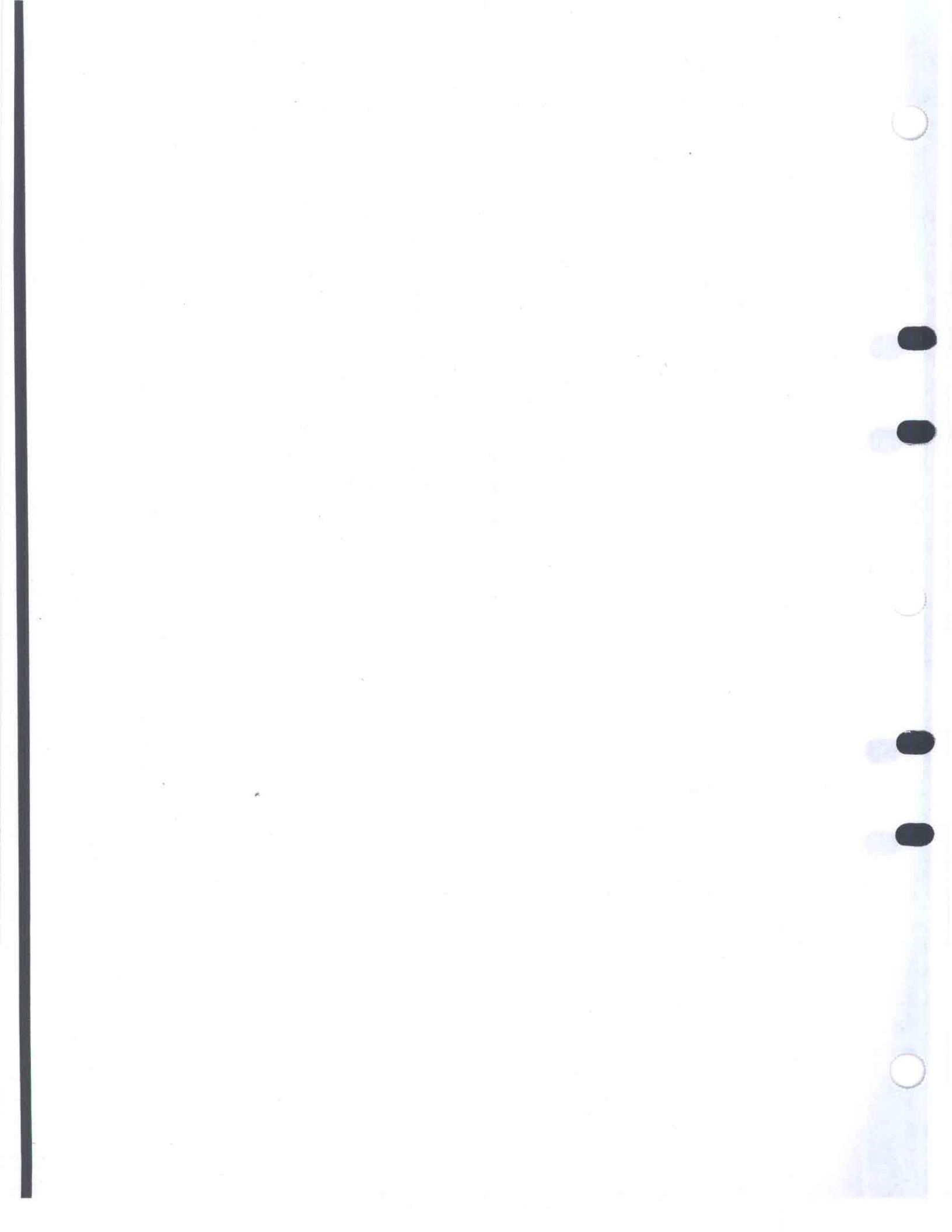


Fig. 87-3. Removing the platform

- | | |
|------------|-----------------|
| 1. Bolting | 3. U-bolts |
| 2. Bolting | 4. Hoist straps |











VOLVO

TP 11082/1
Engelska
2500.2.75
Printed in Sweden